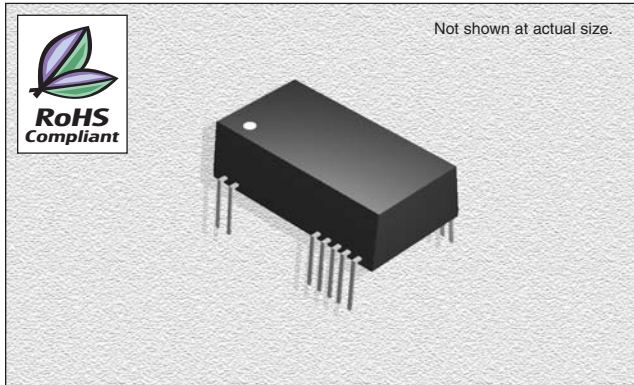


CTDD3214DF-D6K-1 Series

Fixed Input Isolated & Unregulated
1W Output, Dual Output



FEATURES

- Efficiency:** To 75%
- Temperature Range:** -40°C to 85°C
- Isolation:** 6KVDC
- Package:** UL94-V0
- Miscellaneous:** Positive and Negative Voltage Output. Small Footprint. No heat sink required. Fixed Input Voltage. No external component required. Industry standard pinout. Unregulated output voltage. Custom service available.
- Samples available.**

CHARACTERISTICS

- Short Circuit Protection:** 1 second
- Temperature Rise at Full Load:** 25°C Max. 15°C Typ.
- Cooling:** Free air convection
- Operating Temperature Range:** -40°C to +85°C
- Storage Temperature Range:** -55°C to +125°C
- Lead Temperature:** 300°C (1.5mm from case for 10 seconds)
- Storage Humidity Range:** ≤ 95%
- Case Material:** Plastic (UL94-V0)
- MTBF:** >3,500,000 hours
- Miscellaneous:** RoHS Compliant.

SPECIFICATIONS

Part Number	Vin Nom. (VDC)	Input Range (VDC)	Vout (VDC)	Iout Max. (mA)	Iout Min. (mA)	Effi. Typ. (%)
CTDD3214DF-0505-D6K-1	5	4.5-5.5	±5	±100	±10	68
CTDD3214DF-0509-D6K-1	5	4.5-5.5	±9	±56	±6	72
CTDD3214DF-0512-D6K-1	5	4.5-5.5	±12	±42	±5	74
CTDD3214DF-0515-D6K-1	5	4.5-5.5	±15	±33	±4	74
CTDD3214DF-1205-D6K-1	12	10.8-13.2	±5	±100	±10	69
CTDD3214DF-1209-D6K-1	12	10.8-13.2	±9	±56	±6	72
CTDD3214DF-1212-D6K-1	12	10.8-13.2	±12	±42	±5	74
CTDD3214DF-1215-D6K-1	12	10.8-13.2	±15	±33	±4	75

ISOLATION SPECIFICATIONS

Item	Test Condition	MIN	TYP	MAX	Units
Isolation Voltage	Flash tested for 1 minute	6000			VDC
Isolation Resistance	Test at 500VDC	1000			MΩ

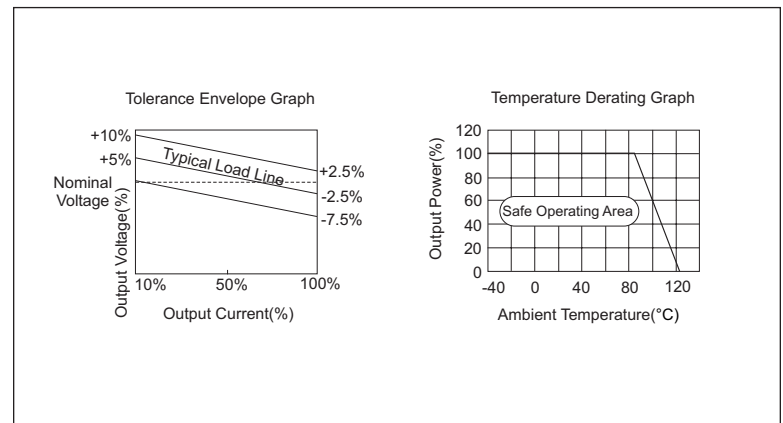
OUTPUT SPECIFICATIONS

Item	Test Condition	MIN	TYP	MAX	Units
1W Output Power		0.1		1	W
Line regulation	Nominal voltage ±1%			±1.2	%
Load regulation	10% to 100% (5V output)			15	%
Load regulation	10% to 100% (12V output)			10	%
Output voltage accuracy	100% full load	See tolerance envelope graph			
Efficiency at full load	Nominal input voltage		75		%
Temperature drift	100% full load			0.03	%/°C
1W Output ripple	20MHz Bandwidth		75	150	mVp-p
Switching frequency	Full load, nominal input		250		KHz

Note:

1. All specifications measured at TA=25°C, humidity<75%, nominal input voltage and rated output load unless otherwise specified.

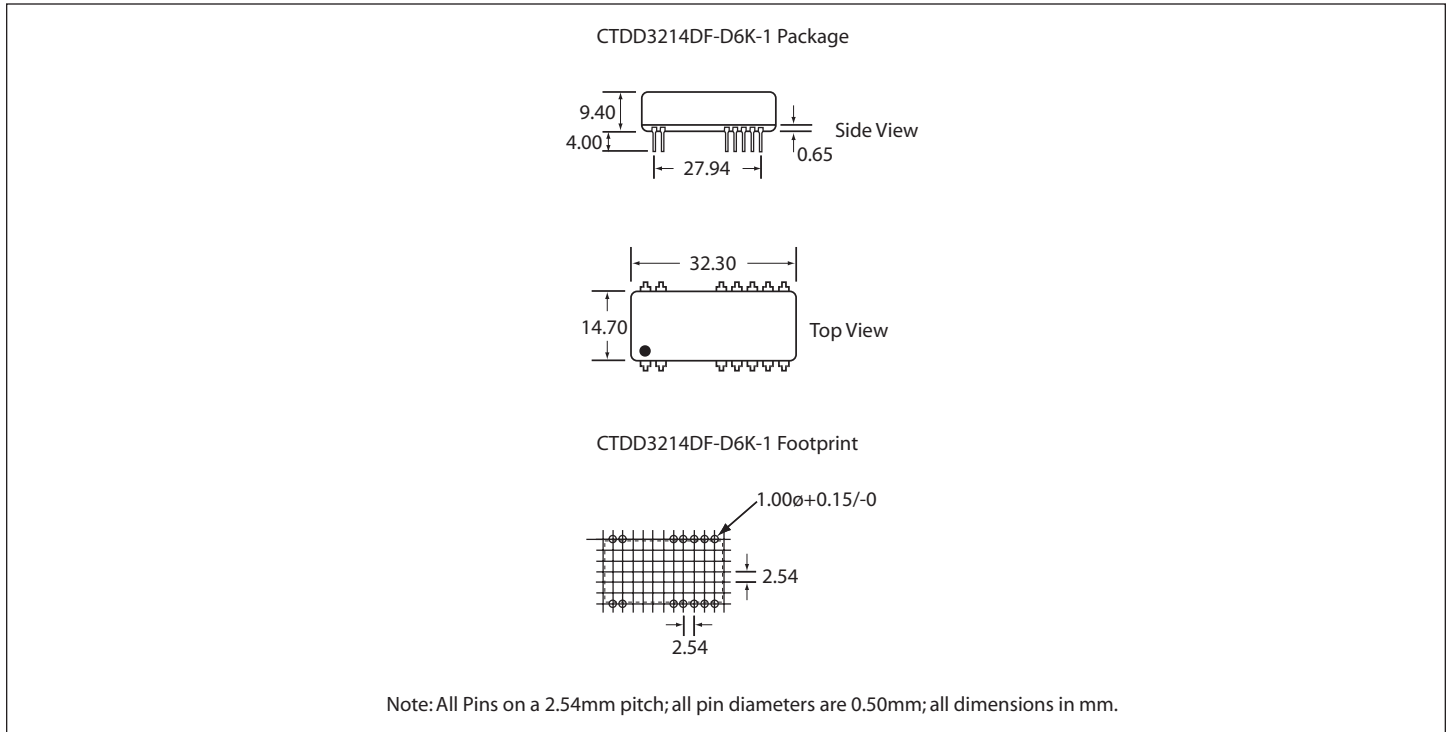
TYPICAL CHARACTERISTICS



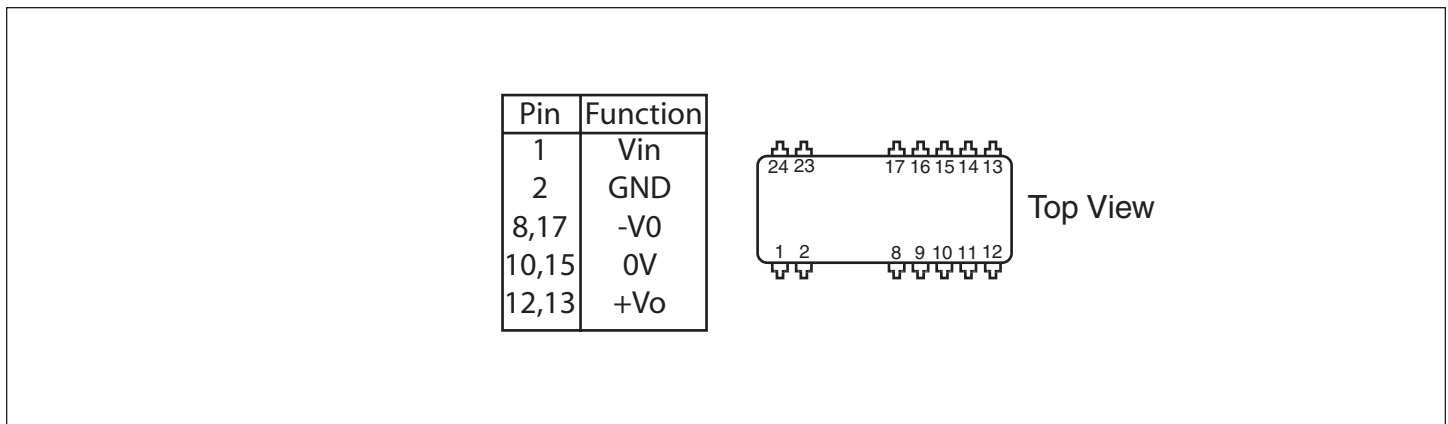
CTDD3214DF-D6K-1 Series

Fixed Input Isolated & Unregulated
1W Output, Dual Output

OUTLINE DIMENSIONS & RECOMMENDED FOOTPRINT DETAILS



PIN CONNECTIONS



11.22.06